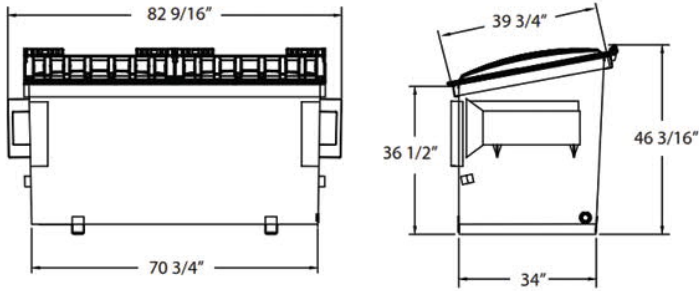


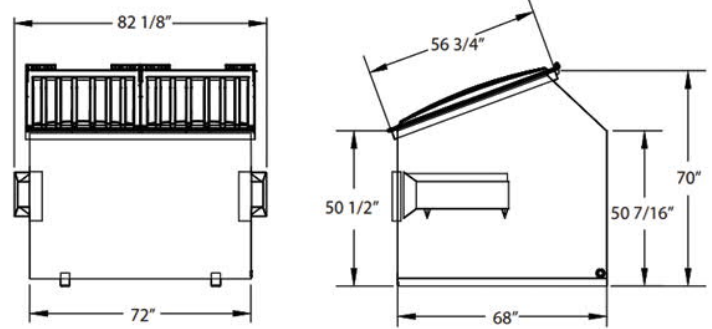


FRONT END LOAD CONTAINERS (SLANT TOP)

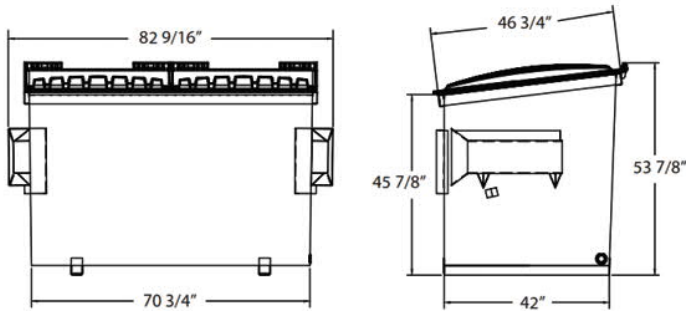
2 YARD SLANT NESTABLE



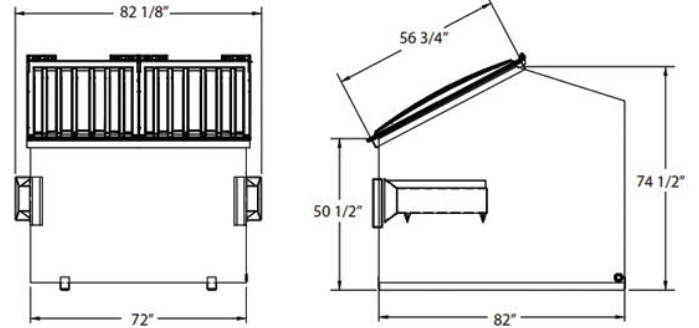
6 YARD SLANT



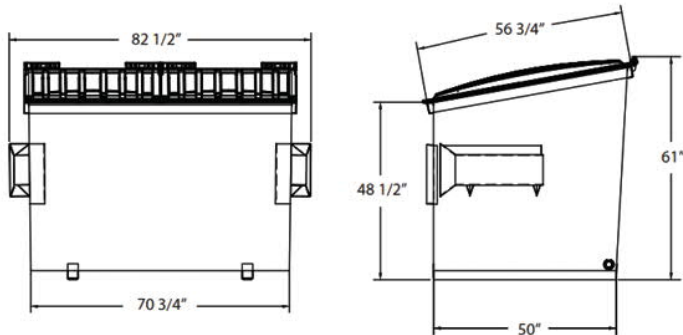
3 YARD SLANT NESTABLE



8 YARD SLANT



4 YARD SLANT NESTABLE



* Nestable

	2 YARD*	3 YARD*	4 YARD*	6 YARD	8 YARD
48 ft. trailer flat / drop	42 / 52	24 / 33	20 / 28	8 / 14	7 / 7
53 ft. trailer flat / drop	48 / 60	26 / 36	22 / 31	9 / 16	8 / 8
Plastic lid standard	37" x 41" single wall	37" x 48" single wall	37" x 58" single wall	37" x 58" single wall	37" x 58" single wall
Sides	12 gauge	12 gauge	12 gauge	12 gauge	12 gauge
Bottom	10 gauge	10 gauge	10 gauge	10 gauge	10 gauge
Weight	504 lbs.	608 lbs.	709 lbs.	900 lbs.	1,103 lbs.