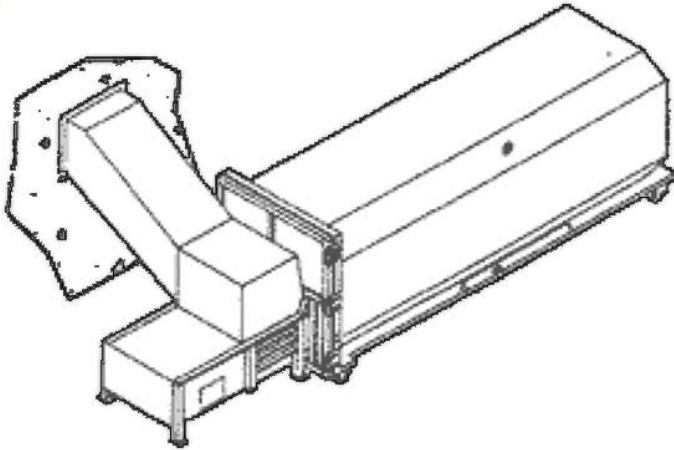
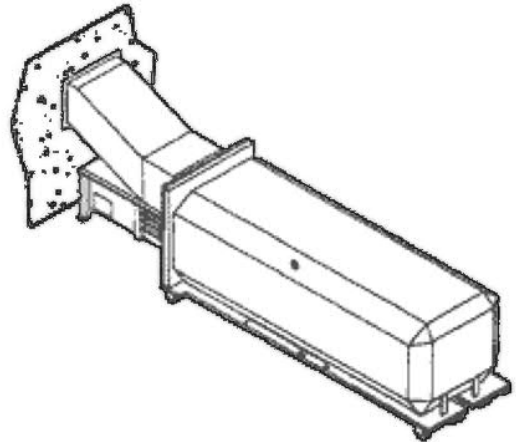




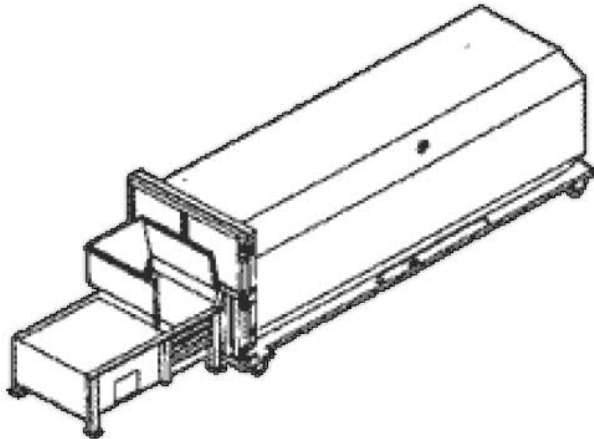
STATIONARY COMPACTORS (STANDARD INSTALLATION)



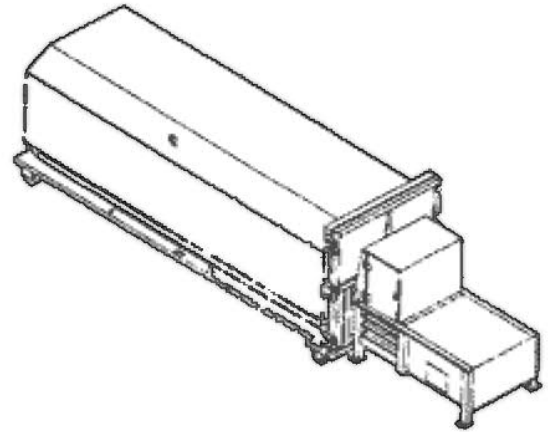
Typical side-loading security-chute
with inside U/L



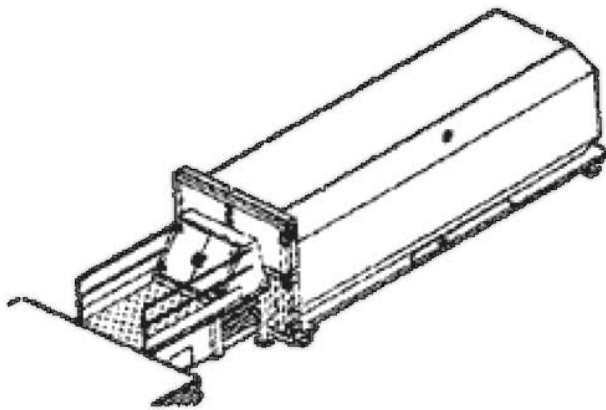
Typical rear loading security chute
with inside U/L



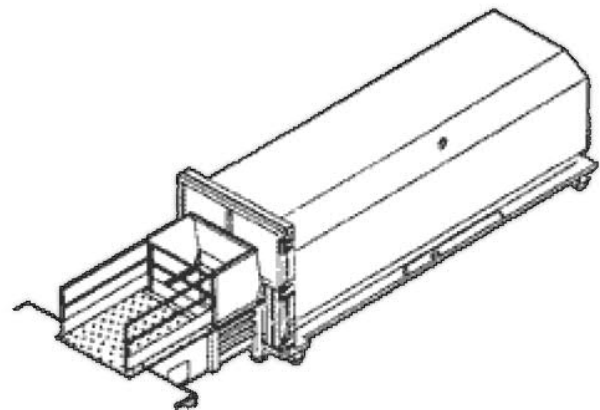
Typical ground loading open dog house



Typical ground loading 2-door
lockable dog house



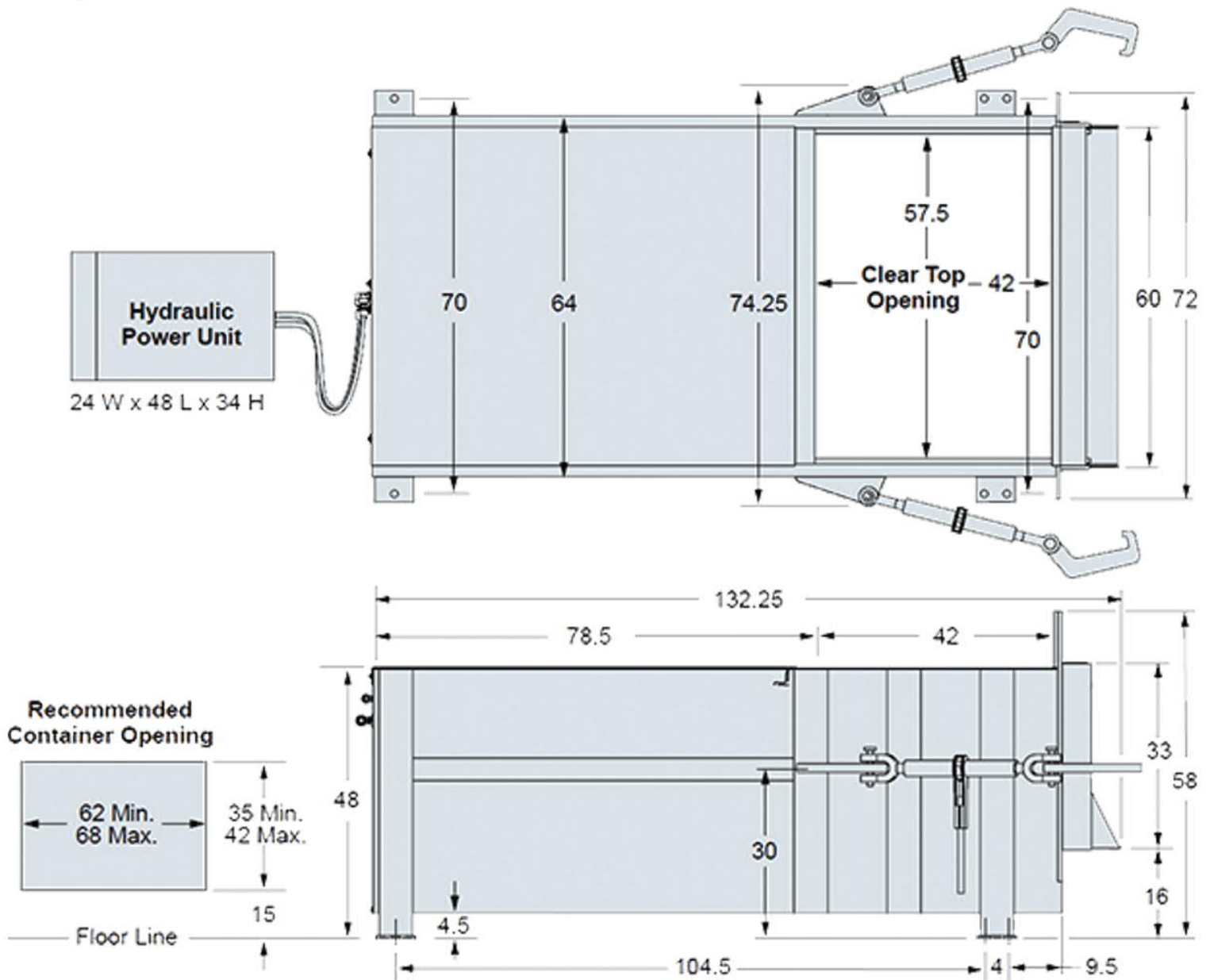
Typical dock loading bulkhead
enclosure with safety



Typical dock loading open hopper extension with
safety rails, gate and diamond plate decking



STATIONARY COMPACTORS (STANDARD INSTALLATION)



Please note: Dimensions shown are in inches are for reference purposes only. Every installation is fully customizable based upon customer needs and location set up